

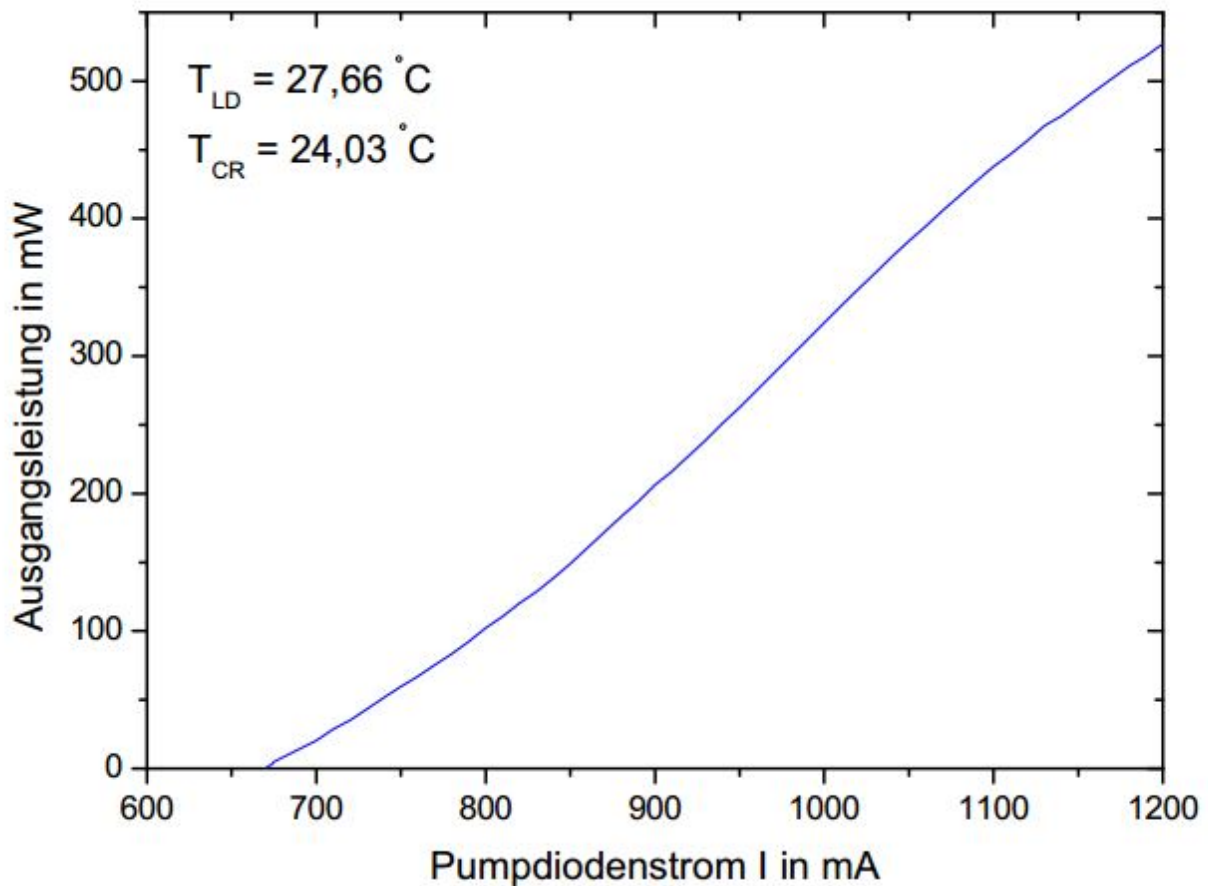
# Innolight Mephisto 1064 nm laser

Comparable small linewidth of  $\sim 10$  kHz

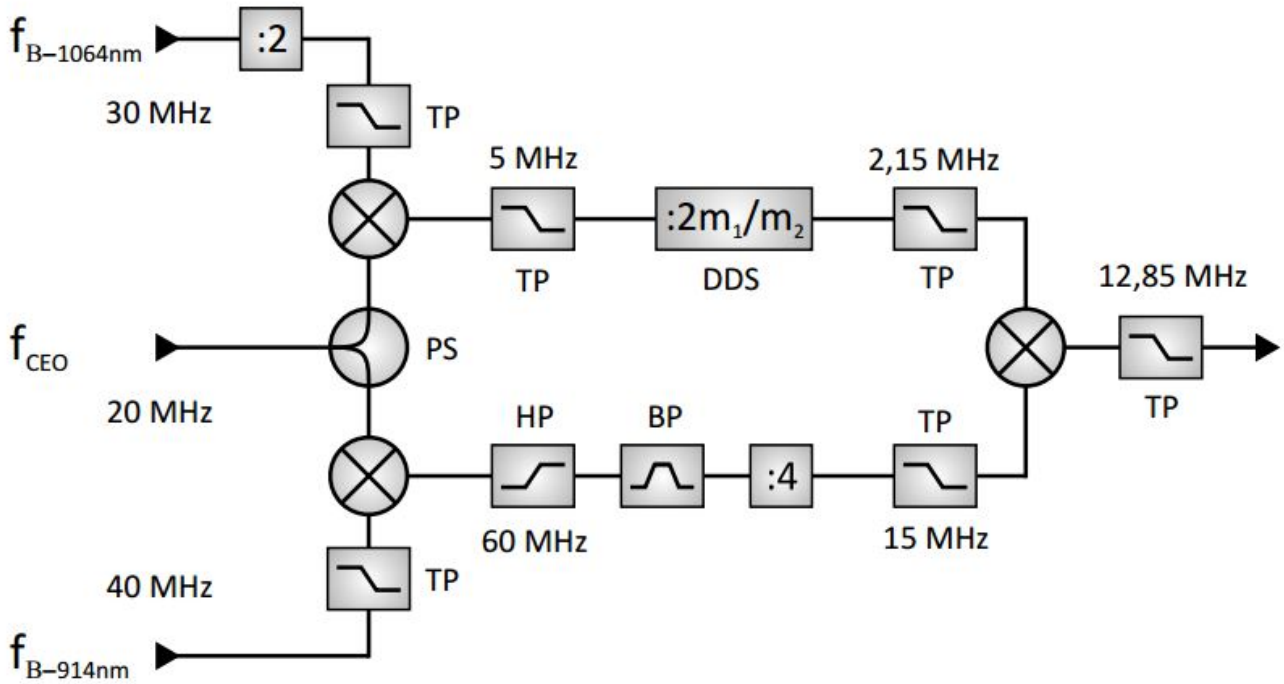
Power up to 500 mW !!

QPORT uses this laser as dipole trap laser

This laser was also used to characterize the LISA master laser demonstrator @ AEI using a fiber link from IQ to AEI: Cooperation of Andre Pape, Steffen Rühmann and Michael Tröbs



Aufbau der Transferstabilisierung / Virtueller Beat



From: <https://iqwiki.iqo.uni-hannover.de/> - IQwiki

Permanent link: <https://iqwiki.iqo.uni-hannover.de/doku.php?id=groups:mg:private:resonatoren:mephisto:start>

Last update: 2018/08/31 13:57

